

## 20V, 5A Synchronous Step-Down Regulator

### Description

The ZCC3605A is a high efficiency, monolithic synchronous buck regulator using a phase lockable controlled on-time constant frequency, current mode architecture. PolyPhase operation allows multiple ZCC3605A regulators to run out of phase while using minimal input and output capacitance. The operating supply voltage range is from 20V down to 4V, making it suitable for dual, triple or quadruple lithium-ion battery inputs as well as point of load power supply applications from a 12V or 5V rail.

The operating frequency is programmable from 800kHz to 4MHz with an external resistor. The high frequency capability allows the use of small surface mount inductors. For switching noise sensitive applications, it can be externally synchronized from 800kHz to 4MHz. The PHMODE pin allows user control of the phase of the outgoing clock signal. The unique constant frequency/controlled on-time architecture is ideal for high step-down ratio applications that are operating at high frequency while demanding fast transient response. Two internal phase-lock loops synchronize the internal oscillator to the external clock and also serves the regulator on-time to lock on to either the internal clock or the external clock if it's present.

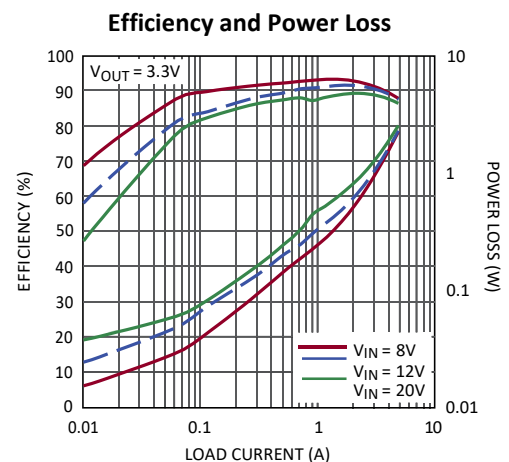
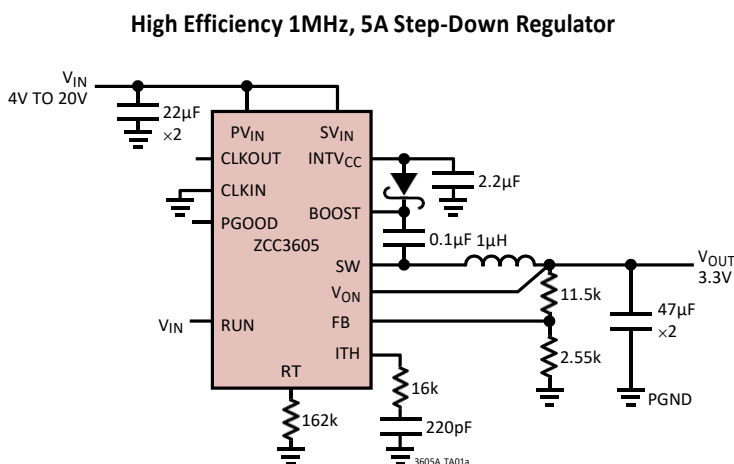
### Features

- High Efficiency: Up to 96%
- 5A Output Current
- 4V to 20V  $V_{IN}$  Range
- Integrated Power N-Channel MOSFETs (70mΩ Top and 35mΩ Bottom)
- Adjustable Frequency 800kHz to 4MHz
- PolyPhase® Operation (Up to 12 Phases)
- Output Tracking
- 0.6V  $\pm$ 1% Reference Accuracy
- Current Mode Operation for Excellent Line and Load Transient Response
- Shutdown Mode Draws Less Than 15μA Supply Current
- ZCC3605: 15V Absolute Maximum  $V_{IN}$
- ZCC3605A: 22V Absolute Maximum  $V_{IN}$
- The ZCC3605A Is Pin Compatible with the ZCC3605
- Available in 24-Pin (4mm  $\times$  4mm) QFN Package

### Applications

- Point of Load Power Supply
- Portable Instruments
- Distributed Power Systems
- Battery-Powered Equipment

### Typical application

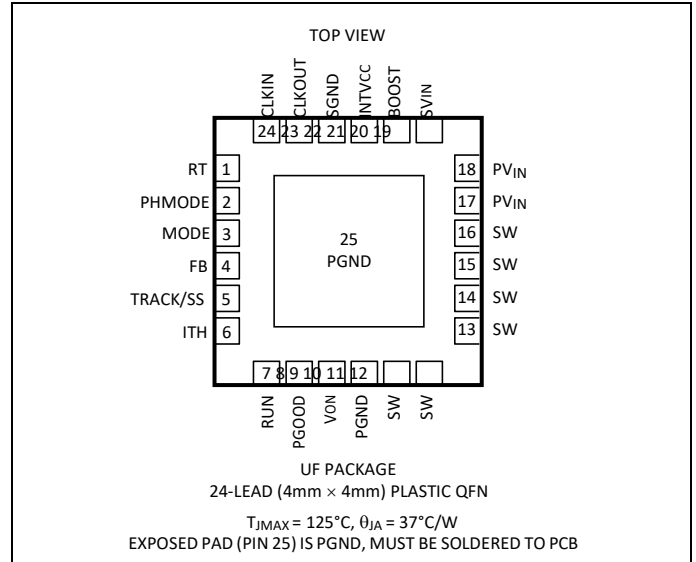


# absoluTe MaxiMuM raTings

(Note 1)

PV <sub>IN</sub> , SV <sub>IN</sub> , SW Voltage.....	-0.3V to 22V
SW Transient Voltage.....	-2V to 24.5V
BOOST Voltage .....	-0.3V to PV <sub>IN</sub> + INTV <sub>CC</sub>
RUN Voltage.....	-0.3V to 22V
V <sub>ON</sub> Voltage.....	-0.3V to SV <sub>IN</sub>
INTV <sub>CC</sub> Voltage .....	-0.3V to 3.6V
ITH, RT, CLKOUT, PGOOD Voltage.....	-0.3V to INTV <sub>CC</sub>
CLKIN, PHMODE, MODE Voltage .....	-0.3V to INTV <sub>CC</sub>
TRACK/SS, FB Voltage.....	-0.3V to INTV <sub>CC</sub>
Operating Junction Temperature Range (Note 2).....	-40°C to 125°C
Storage Temperature Range .....	-65°C to 125°C

# pin conFiguraTion



# orDer inForMaTion

LEAD FREE FINISH	TAPE AND REEL	PART MARKING*	PACKAGE DESCRIPTION	TEMPERATURE RANGE
ZCC3605AEUF#PBF	ZCC3605AEUF#TRPBF	3605A	24-Lead (4mm × 4mm) Plastic QFN	-40°C to 125°C
ZCC3605AIUF#PBF	ZCC3605AIUF#TRPBF	3605A	24-Lead (4mm × 4mm) Plastic QFN	-40°C to 125°C

# elecTrical characTerisTics

The **I** denotes the specifications which apply over the full operating temperature range, otherwise specifications are at T<sub>J</sub> ≈ T<sub>A</sub> = 25°C (Note 2). V<sub>IN</sub> = 12V unless otherwise noted.

SYMBOL	PARAMETER	CONDITIONS	MIN	TYP	MAX	UNITS
SV <sub>IN</sub>	SV <sub>IN</sub> Supply Range		4		20	V
PV <sub>IN</sub>	V <sub>IN</sub> Power Supply Range		1.2		20	V
I <sub>Q</sub>	Input DC Supply Current	(Note 3)				
	Active	Mode = 0, R <sub>T</sub> = 162k		1.5	5	mA
	Shutdown	V <sub>IN</sub> = 12V, RUN = 0		11	40	μA
V <sub>FB</sub>	Feedback Reference Voltage	ITH = 1.2V (Note 4)	<b>I</b> 0.594	0.600	0.606	V
ΔV <sub>FB(LINE)</sub>	Feedback Voltage Line Regulation	V <sub>IN</sub> = 4V to 20V, ITH = 1.2V	<b>I</b>	0.001	0.03	%/V
ΔV <sub>FB(LOAD)</sub>	Feedback Voltage Load Regulation		<b>I</b>	0.1	0.3	%
I <sub>FB</sub>	Feedback Pin Input Current				±30	nA
g <sub>m</sub> (EA)	Error Amplifier Transconductance	ITH = 1.2V	1.15	1.35	1.6	mS
t <sub>ON(MIN)</sub>	Minimum On-Time			40		ns
t <sub>OFF(MIN)</sub>	Minimum Off-Time			70		ns

# ZCC3605A

## elecTrical characTerisTics

The **I** denotes the specifications which apply over the full operating temperature range, otherwise specifications are at  $T_J \approx T_A = 25^\circ\text{C}$  (Note 2).  $V_{IN} = 12\text{V}$  unless otherwise noted.

SYMBOL	PARAMETER	CONDITIONS	MIN	TYP	MAX	UNITS
$I_{LIM}$	Positive Inductor Valley Current Limit		5	6	7.5	A
	Negative Inductor Valley Current Limit			-5		A
$R_{TOP}$	Top Power NMOS On-Resistance	$INTV_{CC} = 3.3\text{V}$		70	150	m $\Omega$
$R_{BOTTOM}$	Bottom Power NMOS On-Resistance	$INTV_{CC} = 3.3\text{V}$		35	60	m $\Omega$
$V_{UVLO}$	$INTV_{CC}$ Undervoltage Lockout Threshold	$INTV_{CC}$ Falling	2.4	2.6	2.8	V
		$INTV_{CC}$ Hysteresis (Rising)		0.25		V
$V_{RUN}$	Run Threshold 2 ( $I_Q \geq 1\text{mA}$ )	RUN Rising	1.1	1.2	1.3	V
	Run Threshold 1 ( $I_Q \geq 100\mu\text{A}$ )	RUN Rising	0.45	0.6	0.75	V
$V_{INTVCC}$	Internal $V_{CC}$ Voltage	$4\text{V} < V_{IN} < 20\text{V}$	3.2	3.3	3.4	V
$\Delta V_{INTVCC}$	$INTV_{CC}$ Load Regulation	$I_{LOAD} = 0\text{mA}$ to $20\text{mA}$		0.5		%
OV	Output Overvoltage PGOOD Upper Threshold	$V_{FB}$ Rising	7	10	13	%
UV	Output Undervoltage PGOOD Lower Threshold	$V_{FB}$ Falling	-13	-10	-7	%
$\Delta V_{FB(HYS)}$	PGOOD Hysteresis	$V_{FB}$ Returning		1.5		%
$R_{PGOOD}$	PGOOD Pull-Down Resistance			12	25	$\Omega$
$I_{PGOOD}$	PGOOD Leakage	$0.54\text{V} < V_{FB} < 0.66\text{V}$			2	$\mu\text{A}$
$I_{TRACK/SS}$	TRACK Pull-Up Current			2.5	4	$\mu\text{A}$
$f_{OSC}$	Oscillator Frequency	$R_T = 162\text{k}$	<b>I</b> 0.85	1	1.2	MHz
CLKIN	CLKIN Threshold	CLKIN $V_{IL}$			0.3	V
		CLKIN $V_{IH}$	1			V
$V_{VIN\_OV}$	$V_{IN}$ Overvoltage Lockout Threshold	$V_{IN}$ Rising	22.8	23.5	24.2	V
		$V_{IN}$ Falling	20.8	21.5	22.1	V

**Note 1:** Stresses beyond those listed under Absolute Maximum Ratings may cause permanent damage to the device. Exposure to any Absolute Maximum Rating condition for extended periods may affect device reliability and lifetime. Absolute Maximum Ratings are those values beyond which the life of a device may be impaired.

**Note 2:** The ZCC3605A is tested under pulsed load conditions such that  $T_J \approx T_A$ . The ZCC3605AE (E-grade) is guaranteed to meet specifications from  $0^\circ\text{C}$  to  $85^\circ\text{C}$  junction temperature. Specifications over the  $-40^\circ\text{C}$  to  $125^\circ\text{C}$  operating junction temperature range are assured by design, characterization and correlation with statistical process controls. The ZCC3605AI (I-grade) is guaranteed over the full  $-40^\circ\text{C}$  to  $125^\circ\text{C}$  operating temperature range.

The junction temperature ( $T_J$ ) is calculated from the ambient temperature ( $T_A$ ) and power dissipation ( $P_D$ ) according to the formula:

$$T_J = T_A + (P_D \cdot \theta_{JA}^\circ\text{C/W})$$

where  $\theta_{JA}$  is the package thermal impedance. Note that the maximum ambient temperature is determined by specific operating conditions in conjunction with board layout, the rated thermal package thermal resistance and other environmental factors.

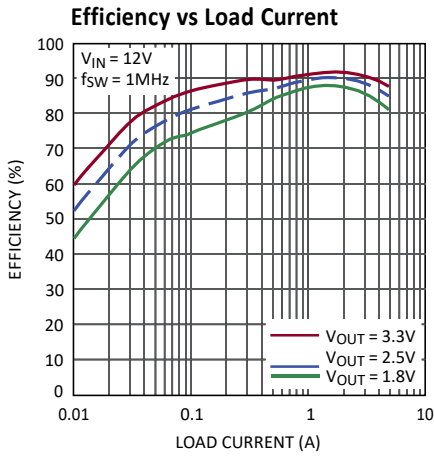
**Note 3:** Dynamic supply current is higher due to the internal gate charge being delivered at the switching frequency.

**Note 4:** The ZCC3605A is tested in a feedback loop that adjusts  $V_{FB}$  to achieve a specified error amplifier output voltage (ITH).

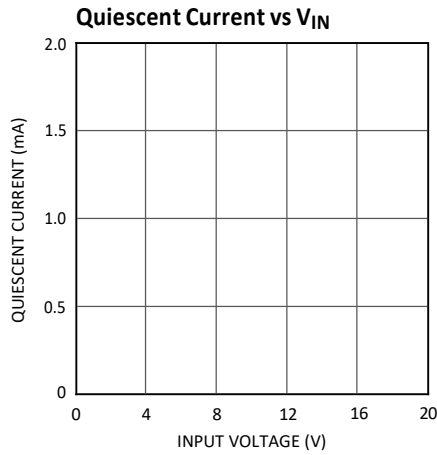
**Note 5:**  $T_J$  is calculated from the ambient temperature  $T_A$  and power dissipation as follows:  $T_J = T_A + P_D \cdot (37^\circ\text{C/W})$ . See Thermal Considerations section.

**Note 6:** This IC includes overtemperature protection that is intended to protect the device during momentary overload conditions. Junction temperature will exceed  $125^\circ\text{C}$  when overtemperature protection is active. Continuous operation above the specified maximum operating junction temperature may impair device reliability.

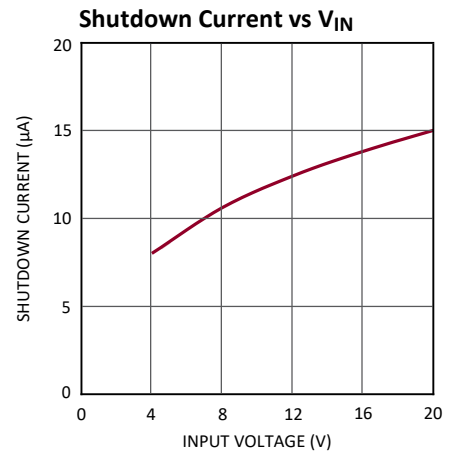
# Typical perFormance characTERISTICS $T_A = 25^\circ\text{C}$ unless otherwise specified.



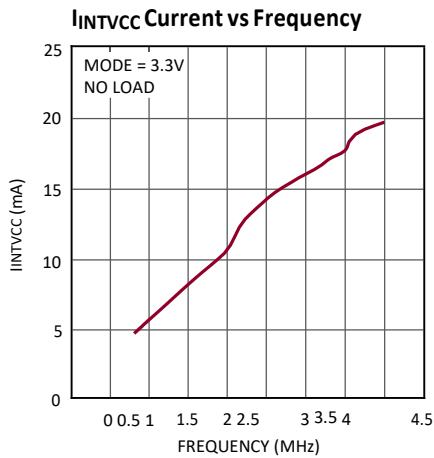
3605A G01



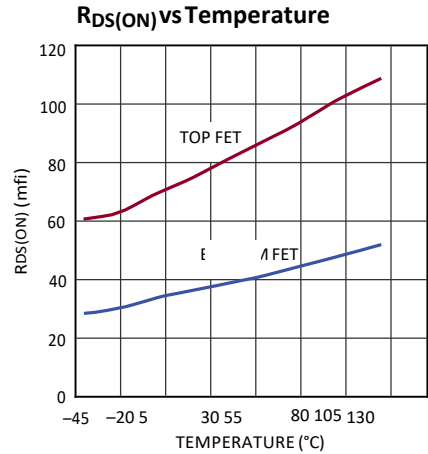
3605A G02



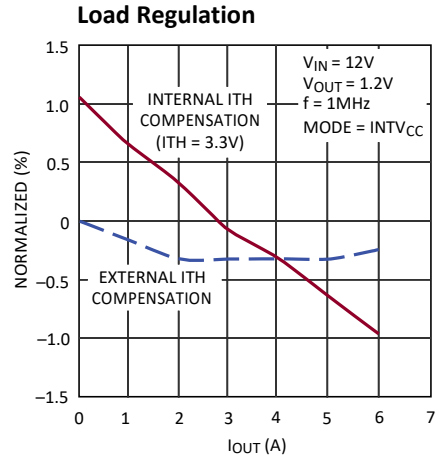
3605A G03



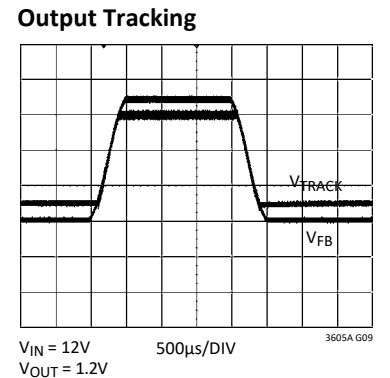
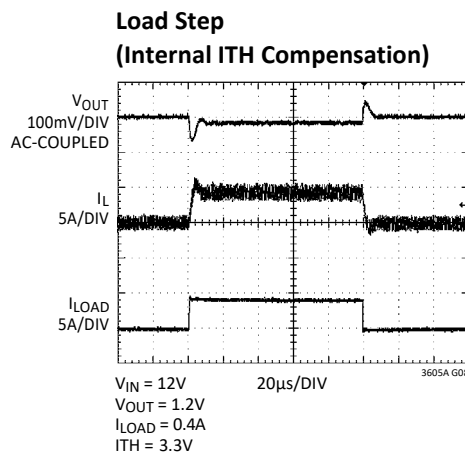
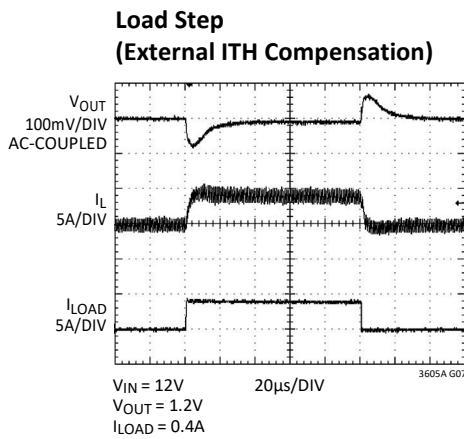
3605A G04



3605A G05



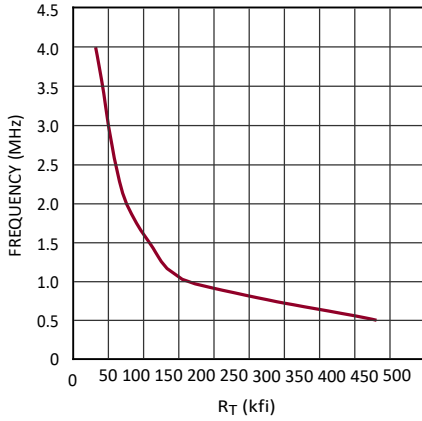
3605A G06



# ZCC3605A

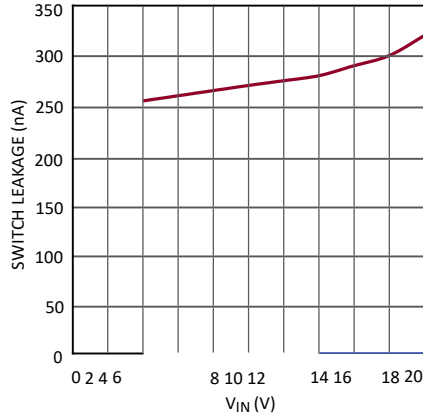
## Typical perFormance characTERistics $T_A = 25^\circ\text{C}$ unless otherwise specified.

Switching Frequency vs  $R_T$



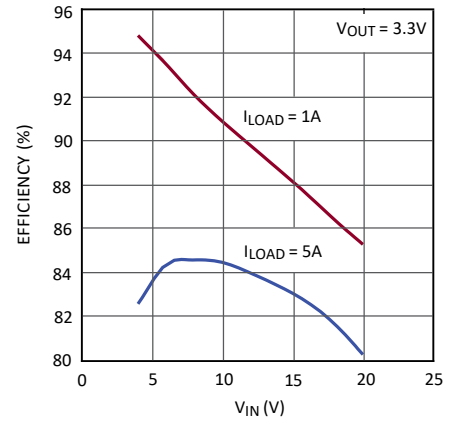
3605A G10

Switch Leakage vs  $V_{IN}$



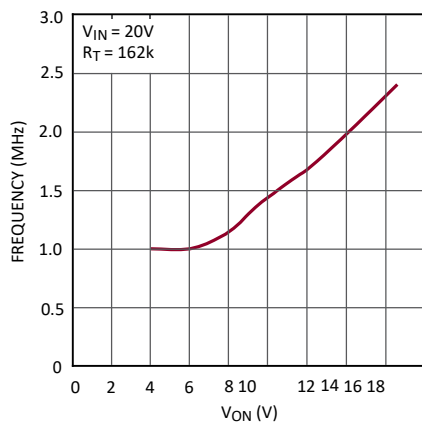
3605A G11

Efficiency vs  $V_{IN}$



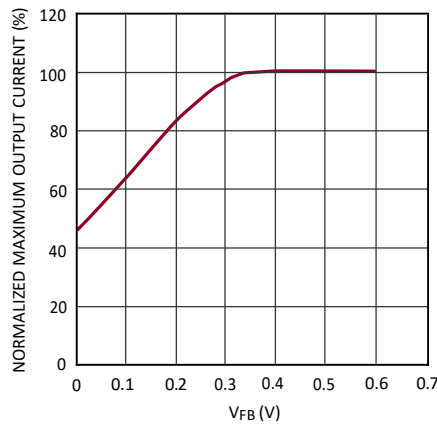
3505A G12

Frequency vs  $V_{ON}$  Voltage



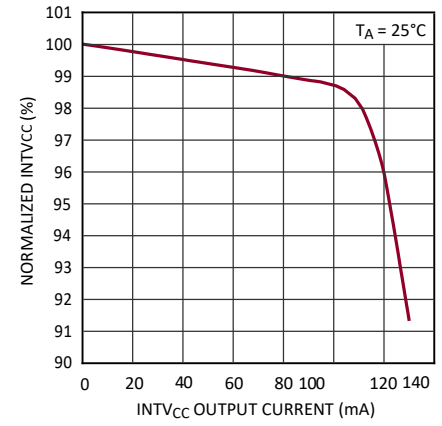
3605A G13

Current Limit Foldback



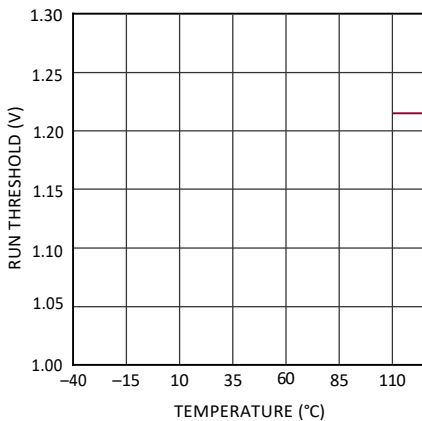
3605A G14

INTV<sub>CC</sub> Load Regulation



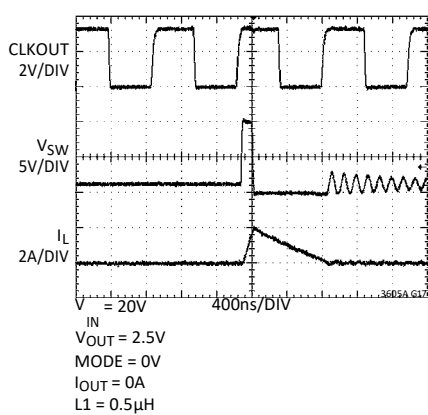
3605A G15

RUN Pin Threshold vs Temperature

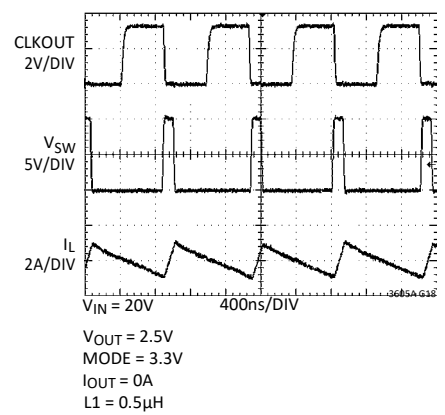


3605A G16

DCM Operation



CCM Operation



## pin Functions

**RT (Pin 1):** Oscillator Frequency Programming Pin. Connect an external resistor (between 200k to 40k) from RT to SGND to program the frequency from 800kHz to 4MHz. Since the synchronization range is  $\pm 30\%$  of set frequency, be sure that the set frequency is within this percentage range of the external clock to ensure frequency lock.

**PHMODE (Pin 2):** Control Input to Phase Selector. Determines the phase relationship between internal oscillator and CLKOUT. Tie it to INTV<sub>CC</sub> for 2-phase operation, tie it to SGND for 3-phase operation, and tie it to INTV<sub>CC</sub>/2 for 4-phase operation.

**MODE (Pin 3):** Operation Mode Select. Tie this pin to INTV<sub>CC</sub> to force continuous synchronous operation at all output loads. Tying it to SGND enables discontinuous mode operation at light loads. Do not float this pin.

**FB (Pin 4):** Output Feedback Voltage. Input to the error amplifier that compares the feedback voltage to the internal 0.6V reference voltage. This pin is normally connected to a resistive divider from the output voltage.

**TRACK/SS (Pin 5):** Output Tracking and Soft-Start Pin. Allows the user to control the rise time of the output voltage. Putting a voltage below 0.6V on this pin bypasses the internal reference input to the error amplifier, instead it servos the FB pin to the TRACK voltage. Above 0.6V, the tracking function stops and the internal reference resumes control of the error amplifier. There's an internal 2.5 $\mu$ A pull-up current from INTV<sub>CC</sub> on this pin, so putting a capacitor here provides soft-start function.

**ITH (Pin 6):** Error Amplifier Output and Switching Regulator Compensation Point. The current comparator's trip threshold is linearly proportional to this voltage, whose normal range is from 0.3V to 1.8V. Tying this pin to INTV<sub>CC</sub> activates internal compensation and output voltage positioning, raising V<sub>OUT</sub> to 1.5% higher than the nominal value at I<sub>OUT</sub> = 0 and 1.5% lower at I<sub>OUT</sub> = 5A.

**RUN (Pin 7):** Run Control Input. Enables chip operation by tying RUN above 1.2V. Tying it below 1.1V shuts down the part.

**PGOOD (Pin 8):** Output Power Good with Open-Drain Logic. PGOOD is pulled to ground when the voltage on the FB pin is not within  $\pm 10\%$  of the internal 0.6V reference.

**V<sub>ON</sub> (Pin 9):** On-Time Voltage Input. Voltage trip point for the on-time comparator. Tying this pin to the output voltage makes the on-time proportional to V<sub>OUT</sub> and keeps the switching frequency constant at different V<sub>OUT</sub>. However, when V<sub>ON</sub> is <0.6V or >6V, then switching frequency will no longer remain constant.

**PGND (Pin 10, Exposed Pad Pin 25):** Power Ground. Return path of internal power MOSFETs. Connect this pin to the negative terminals of the input capacitor and output capacitor. The exposed pad must be soldered to the PCB ground for electrical contact and rated thermal performance.

**SW (Pins 11 to 16):** Switch Node Connection to External Inductor. Voltage swing of SW is from a diode voltage drop below ground to PV<sub>IN</sub>.

**PV<sub>IN</sub> (Pins 17, 18):** Power V<sub>IN</sub>. Input voltage to the on-chip power MOSFETs.

**SV<sub>IN</sub> (Pin 19):** Signal V<sub>IN</sub>. Filtered input voltage to the on-chip 3.3V regulator. Connect a (1 $\Omega$  to 10 $\Omega$ ) resistor between SV<sub>IN</sub> and PV<sub>IN</sub> and bypass to GND with a 0.1 $\mu$ F capacitor.

**BOOST (Pin 20):** Boosted Floating Driver Supply for Internal Top Power MOSFET. The (+) terminal of the bootstrap capacitor connects here. This pin swings from a diode voltage drop below INTV<sub>CC</sub> up to PV<sub>IN</sub> + INTV<sub>CC</sub>.

**INTV<sub>CC</sub> (Pin 21):** Internal 3.3V Regulator Output. The internal power drivers and control circuits are powered from this voltage. Decouple this pin to power ground with a minimum of 1 $\mu$ F low ESR ceramic capacitor.

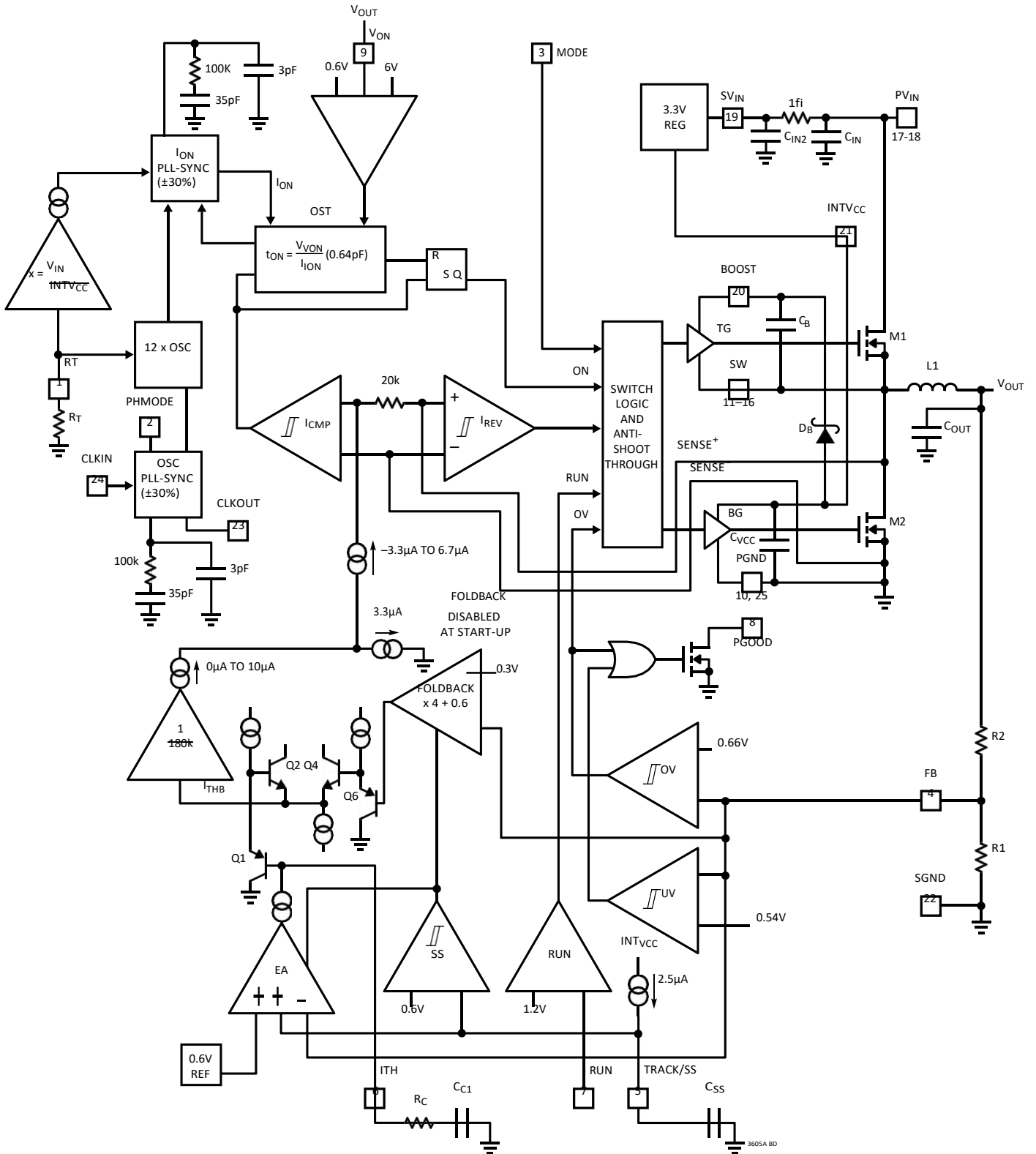
**SGND (Pin 22):** Signal Ground Connection.

**CLKOUT (Pin 23):** Output Clock Signal for PolyPhase Operation. The phase of CLKOUT with respect to CLKIN is determined by the state of the PHMODE pin. CLKOUT's peak-to-peak amplitude is INTV<sub>CC</sub> to GND.

**CLKIN (Pin 24):** External Synchronization Input to Phase Detector. This pin is internally terminated to SGND with 20k. The phase-locked loop will force the top power NMOS's turn on signal to be synchronized with the rising edge of the CLKIN signal.

# ZCC3605A

## block Diagram



## Main Control Loop

The ZCC3605A is a current mode monolithic step-down regulator. In normal operation, the internal top power MOSFET is turned on for a fixed interval determined by a one-shot timer, OST. When the top power MOSFET turns off, the bottom power MOSFET turns on until the current comparator,  $I_{CMP}$ , trips, restarting the one-shot timer and initiating the next cycle. Inductor current is determined by sensing the voltage drop across the bottom power MOSFET's  $V_{DS}$ . The voltage on the ITH pin sets the comparator threshold corresponding to the inductor valley current. The error amplifier, EA, adjusts this ITH voltage by comparing the feedback signal,  $V_{FB}$ , from the output voltage with that of an internal 0.6V reference. If the load current increases, it causes a drop in the feedback voltage relative to the internal reference. The ITH voltage then rises until the average inductor current matches that of the load current.

At low load current, the inductor current can drop to zero and become negative. This is detected by current reversal comparator,  $I_{REV}$ , which then shuts off the bottom power MOSFET, resulting in discontinuous operation. Both power MOSFETs will remain off with the output capacitor supplying the load current until the ITH voltage rises above the zero current level (0.6V) to initiate another cycle. Discontinuous mode operation is disabled by tying the MODE pin to  $INTV_{CC}$ , which forces continuous synchronous operation regardless of output load.

The operating frequency is determined by the value of the  $R_T$  resistor, which programs the current for the internal oscillator. An internal phase-lock loop servos the oscillator frequency to an external clock signal if one is present on the CLKIN pin. Another internal phase-lock loop servos the switching regulator on-time to track the internal oscillator to force constant switching frequency.

Overvoltage and undervoltage comparators OV and UV pull the PGOOD output low if the output feedback voltage,  $V_{FB}$ , exits a  $\pm 10\%$  window around the regulation point. Continuous operation is forced during OV and UV

condition except during start-up when the TRACK pin is ramping up to 0.6V.

Foldback current limiting is provided if the output is shorted to ground. As  $V_{FB}$  drops to zero, the maximum sense voltage allowed across the bottom power MOSFET is lowered to approximately 40% of the original value to reduce the inductor valley current.

## RUN Threshold

Pulling the RUN pin to ground forces the ZCC3605A into its shutdown state, turning off both power MOSFETs and most of its internal control circuitry. Bringing the RUN pin above 0.6V turns on the internal reference only, while still keeping the power MOSFETs off. Further increasing the RUN voltage above 1.2V turns on the entire chip.

## $INTV_{CC}$ Regulator

An internal low dropout (LDO) regulator produces the 3.3V supply that powers the drivers and the internal bias circuitry. The  $INTV_{CC}$  can supply up to 100mA RMS and must be bypassed to ground with a minimum of 1 $\mu$ F ceramic capacitor. Good bypassing is necessary to supply the high transient currents required by the power MOSFET gate drivers. Applications with high input voltage and high switching frequency will increase die temperature because of the higher power dissipation across the LDO. Connecting a load to the  $INTV_{CC}$  pin is not recommended since it will further push the LDO into its RMS current rating while increasing power dissipation and die temperature.

## $V_{IN}$ Overvoltage Protection

In order to protect the internal power MOSFET devices against transient voltage spikes, the ZCC3605A constantly monitors the  $V_{IN}$  pin for an overvoltage condition. When  $V_{IN}$  rises above 23.5V, the regulator suspends operation by shutting off both power MOSFETs. Once  $V_{IN}$  drops below 21.5V, the regulator immediately resumes normal operation. The regulator does not execute its soft-start function when exiting an overvoltage condition.



## operation

### PV<sub>IN</sub>/SV<sub>IN</sub> Voltage Differential

SV<sub>IN</sub> should be tied to PV<sub>IN</sub> with a low pass filter of 1Ω to 10Ω and 0.1μF. For applications where PV<sub>IN</sub> and SV<sub>IN</sub> are tied to vastly different voltage potentials, though the output voltage will remain in regulation, there will be an offset in the internal on-time generator such that if SV<sub>IN</sub> is different than PV<sub>IN</sub> by more than 50% of the PV<sub>IN</sub> voltage, the resulting switching frequency will deviate from the frequency programmed by the R<sub>T</sub> resistor and/or the external clock synchronization frequency. In such applications, in order to return the switching frequency back to the original desired frequency, R<sub>T</sub> resistor value can be adjusted accordingly. However, the better alternative is to tie the V<sub>ON</sub> pin to a voltage different than that of V<sub>OUT</sub> in order to negate the offset of the V<sub>IN</sub> differential. For instance, if SV<sub>IN</sub> is 6V and PV<sub>IN</sub> is 12V, the resulting switching frequency may be slower than what's programmed by the R<sub>T</sub> resistor. Tying the V<sub>ON</sub> pin to a voltage half of V<sub>OUT</sub> will negate the V<sub>IN</sub> offset and return the switching frequency back to normal.

### Output Voltage Programming

The output voltage is set by an external resistive divider according to the following equation:

$$V_{OUT} = 0.6V \cdot (1 + R2/R1)$$

The resistive divider allows the V<sub>FB</sub> pin to sense a fraction of the output voltage as shown in Figure 1.

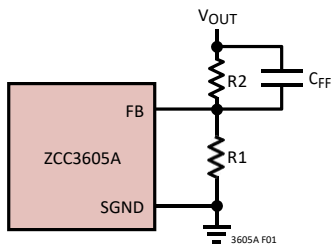


Figure 1. Setting the Output Voltage

### Programming Switching Frequency

Connecting a resistor from the RT pin to SGND programs the switching frequency from 800kHz to 4MHz according to the following formula:

$$\text{Frequency (Hz)} = \frac{1.6e11}{R_T (\Omega)}$$

The internal PLL has a synchronization range of ±30% around its programmed frequency. Therefore, during external clock synchronization be sure that the external clock frequency is within this ±30% range of the RT programmed frequency.

### Output Voltage Tracking and Soft-Start

The ZCC3605A allows the user to program its output voltage ramp rate by means of the TRACK/SS pin. An internal 2μA pulls up the TRACK/SS pin to INTV<sub>CC</sub>. Putting an external capacitor on TRACK/SS enables soft starting the output to prevent current surge on the input supply. For output tracking applications, TRACK/SS can be externally driven by another voltage source. From 0V to 0.6V, the TRACK/SS voltage will override the internal 0.6V reference input to the error amplifier, thus regulating the feedback voltage to that of TRACK/SS pins. During this start-up time, the ZCC3605A will operate in discontinuous mode. When TRACK/SS is above 0.6V, tracking is disabled and the feedback voltage will regulate to the internal reference voltage.

### Output Power Good

When the ZCC3605A's output voltage is within the ±10% window of the regulation point, which is reflected back as a V<sub>FB</sub> voltage in the range of 0.54V to 0.66V, the output voltage is good and the PGOOD pin is pulled high with an external resistor. Otherwise, an internal open-drain pull-down device (12Ω) will pull the PGOOD pin low. To prevent unwanted PGOOD glitches during transients or dynamic V<sub>OUT</sub> changes, the ZCC3605A's PGOOD falling edge includes a blanking delay of approximately 52 switching cycles.

# ZCC3605A

---

## operation

### Multiphase Operation

For output loads that demand more than 5A of current, multiple ZCC3605As can be cascaded to run out of phase to provide more output current. The CLKIN pin allows the ZCC3605A to synchronize to an external clock ( $\pm 30\%$  of frequency programmed by RT) and the internal phase-locked-loop allows the ZCC3605A to lock onto CLKIN's phase as well. The CLKOUT signal can be connected to the CLKIN pin of the following ZCC3605A stage to line up both the frequency and the phase of the entire system. Tying the PHMODE pin to  $INTV_{CC}$ , SGND or  $INTV_{CC}/2$  generates a phase difference (between CLKIN and CLKOUT) of 180 degrees, 120 degrees, or 90 degrees respectively, which corresponds to 2-phase, 3-phase or 4-phase operation. A total of 12 phases can be cascaded to run simultaneously out of phase with respect to each other by programming the PHMODE pin of each ZCC3605A to different levels.

### Internal/External ITH Compensation

During single phase operation, the user can simplify the loop compensation by tying the  $I_{TH}$  pin to  $INTV_{CC}$  to enable internal compensation. This connects an internal 30k resistor in series with a 40pF capacitor to the output of the error amplifier (internal ITH compensation point) while also activating output voltage positioning such that the output voltage will be 1.5% above regulation at no load and 1.5% below regulation at full load. This is a trade-off for simplicity instead of OPTI-LOOP® optimization, where ITH components are external and are selected to optimize the loop transient response with minimum output capacitance.

### Minimum Off-Time and Minimum On-Time Considerations

The minimum off-time,  $t_{OFF(MIN)}$ , is the smallest amount of time that the ZCC3605A is capable of turning on the bottom power MOSFET, tripping the current comparator and turning the power MOSFET back off. This time is generally about 70ns. The minimum off-time limit imposes a maximum duty cycle of  $t_{ON}/(t_{ON} + t_{OFF(MIN)})$ . If the maximum duty cycle is reached, due to a dropping input voltage for

example, then the output will drop out of regulation. The minimum input voltage to avoid dropout is:

$$V_{IN(MIN)} = V_{OUT} \cdot \frac{t_{ON} + t_{OFF(MIN)}}{t_{ON}}$$

Conversely, the minimum on-time is the smallest duration of time in which the top power MOSFET can be in its "on" state. This time is typically 40ns. In continuous mode operation, the minimum on-time limit imposes a minimum duty cycle of:

$$DC_{MIN} = f \cdot t_{ON(MIN)}$$

where  $t_{ON(MIN)}$  is the minimum on-time. As the equation shows, reducing the operating frequency will alleviate the minimum duty cycle constraint.

In the rare cases where the minimum duty cycle is surpassed, the output voltage will still remain in regulation, but the switching frequency will decrease from its programmed value. This is an acceptable result in many applications, so this constraint may not be of critical importance in most cases. High switching frequencies may be used in the design without any fear of severe consequences. As the sections on inductor and capacitor selection show, high switching frequencies allow the use of smaller board components, thus reducing the size of the application circuit.

### $C_{IN}$ and $C_{OUT}$ Selection

The input capacitance,  $C_{IN}$ , is needed to filter the trapezoidal wave current at the drain of the top power MOSFET. To prevent large voltage transients from occurring, a low ESR input capacitor sized for the maximum  $R_{MS}$  current should be used. The maximum  $R_{MS}$  current is given by:

$$I_{RMS} \cong I_{OUT(MAX)} \frac{V_{OUT}}{V_{IN}} \sqrt{\frac{V_{IN}}{V_{OUT}} - 1}$$

This formula has a maximum at  $V_{IN} = 2V_{OUT}$ , where  $I_{RMS} \cong I_{OUT}/2$ . This simple worst-case condition is commonly used for design because even significant deviations do not offer much relief.

---

## operation

derate the capacitor, or choose a capacitor rated at a higher temperature than required.

Several capacitors may also be paralleled to meet size or height requirements in the design. For low input voltage applications, sufficient bulk input capacitance is needed to minimize transient effects during output load changes.

The selection of  $C_{OUT}$  is determined by the effective series resistance (ESR) that is required to minimize voltage ripple and load step transients as well as the amount of bulk capacitance that is necessary to ensure that the control loop is stable. Loop stability can be checked by viewing the load transient response. The output ripple,  $\Delta V_{OUT}$ , is determined by:

$$\Delta V_{OUT} < \Delta I_L \left( \frac{1}{8 \cdot f \cdot C_{OUT}} + ESR \right)$$

The output ripple is highest at maximum input voltage since  $\Delta I_L$  increases with input voltage. Multiple capacitors placed in parallel may be needed to meet the ESR and RMS current handling requirements. Dry tantalum, special polymer, aluminum electrolytic, and ceramic capacitors are all available in surface mount packages. Special polymer capacitors are very low ESR but have lower capacitance density than other types. Tantalum capacitors have the highest capacitance density but it is important to only use types that have been surge tested for use in switching power supplies. Aluminum electrolytic capacitors have significantly higher ESR, but can be used in cost-sensitive applications provided that consideration is given to ripple current ratings and long-term reliability. Ceramic capacitors have excellent low ESR characteristics and small footprints. Their relatively low value of bulk capacitance may require multiples in parallel.

### Using Ceramic Input and Output Capacitors

Higher values, lower cost ceramic capacitors are now becoming available in smaller case sizes. Their high ripple current, high voltage rating and low ESR make them ideal for switching regulator applications. However, care must be taken when these capacitors are used at the input and output. When a ceramic capacitor is used at the input

and the power is supplied by a wall adapter through long wires, a load step at the output can induce ringing at the  $V_{IN}$  input. At best, this ringing can couple to the output and be mistaken as loop instability. At worst, a sudden inrush of current through the long wires can potentially cause a voltage spike at  $V_{IN}$  large enough to damage the part.

When choosing the input and output ceramic capacitors, choose the X5R and X7R dielectric formulations. These dielectrics have the best temperature and voltage characteristics of all the ceramics for a given value and size.

Since the ESR of a ceramic capacitor is so low, the input and output capacitor must instead fulfill a charge storage requirement. During a load step, the output capacitor must instantaneously supply the current to support the load until the feedback loop raises the switch current enough to support the load. The time required for the feedback loop to respond is independent of the compensation and the output capacitor size. Typically, 3 to 4 cycles are required to respond to a load step, but only in the first cycle does the output drop linearly. The output droop,  $V_{DROOP}$ , is usually about 2 to 3 times the linear drop of the first cycle. Thus, a good place to start with the output capacitor value is approximately:

$$C_{OUT} \approx 2.5 \frac{\Delta I_{OUT}}{f_O \cdot V_{DROOP}}$$

More capacitance may be required depending on the duty cycle and load step requirements.

In most applications, the input capacitor is merely required to supply high frequency bypassing, since the impedance to the supply is very low. A 22  $\mu$ F ceramic capacitor is usually enough for these conditions. Place this input capacitor as close to the  $PV_{IN}$  pins as possible.

### Inductor Selection

Given the desired input and output voltages, the inductor value and operating frequency determine the ripple current:

$$\Delta I_L = \frac{V_{OUT}}{f \cdot L} \left( 1 - \frac{V_{OUT}}{V_{IN(MAX)}} \right)$$

Lower ripple current reduces core losses in the inductor, ESR losses in the output capacitors and output voltage ripple. Highest efficiency operation is obtained at low frequency with small ripple current. However, achieving this requires a large inductor. There is a trade-off between component size, efficiency and operating frequency.

A reasonable starting point is to choose a ripple current that is about 2.5A. This is especially important at low  $V_{OUT}$  operation where  $V_{OUT}$  is 1.8V or below. Care must be given to choose an inductance value that will generate a big enough current ripple (1.5A to 2.5A) so that the chip's valley current comparator has enough signal-to-noise ratio to force constant switching frequency. Meanwhile, also note that the largest ripple current occurs at the highest  $V_{IN}$ . To guarantee that ripple current does not exceed a specified maximum, the inductance should be chosen according to:

$$L = f \cdot \frac{V_{OUT}}{\Delta I} \cdot \left( 1 - \frac{V_{OUT}}{V_{IN(MAX)}} \right)$$

However, the inductor ripple current must not be so large that its valley current level ( $-\Delta I_L/2$ ) can exceed the negative current limit, which can be as low as  $-3.5A$ . If the negative current limit is exceeded in forced continuous mode of operation,  $V_{OUT}$  can get charged to above the regulation level until the inductor current no longer exceeds the negative current limit. In such instances, choose a larger inductor value to reduce the inductor ripple current. The alternative is to reduce the  $R_T$  resistor value to increase the switching frequency in order to reduce the inductor ripple current.

Once the value for L is known, the type of inductor must be selected. Actual core loss is independent of core size for a fixed inductor value, but is very dependent on the inductance selected. As the inductance or frequency increases, core losses decrease. Unfortunately, increased inductance requires more turns of wire and therefore copper losses will increase.

Ferrite designs have very low core losses and are preferred at high switching frequencies, so design goals can concentrate on copper loss and preventing saturation. Ferrite core material saturates "hard", which means that inductance collapses abruptly when the peak design current

is exceeded. This results in an abrupt increase in inductor ripple current and consequent output voltage ripple. Do not allow the core to saturate!

Different core materials and shapes will change the size/current and price/current relationship of an inductor. Toroid or shielded pot cores in ferrite or permalloy materials are small and don't radiate much energy, but generally cost more than powdered iron core inductors with similar characteristics. The choice of which style inductor to use mainly depends on the price versus size requirements and any radiated field/EMI requirements. New designs for surface mount inductors are available from Toko, Vishay, NEC/Tokin, Cooper, TDK and Würth Elektronik. Refer to Table 1 for more details.

**Checking Transient Response**

The OPTI-LOOP compensation allows the transient response to be optimized for a wide range of loads and output capacitors. The availability of the ITH pin not only allows optimization of the control loop behavior but also provides a DC-coupled and AC-filtered closed-loop response test point. The DC step, rise time and settling at this test point truly reflects the closed-loop response. Assuming a predominantly second order system, phase margin and/or damping factor can be estimated using the percentage of overshoot seen at this pin.

The ITH external components shown in the circuit on the first page of this data sheet provides an adequate starting point for most applications. The series R-C filter sets the dominant pole zero loop compensation. The values can be modified slightly (from 0.5 to 2 times their suggested values) to optimize transient response once the final PC layout is done and the particular output capacitor type and value have been determined. The output capacitors need to be selected because their various types and values determine the loop feedback factor gain and phase. An output current pulse of 20% to 100% of full load current having a rise time of  $1\mu s$  to  $10\mu s$  will produce output voltage and ITH pin waveforms that will give a sense of the overall loop stability without breaking the feedback loop.

Switching regulators take several cycles to respond to a step in load current. When a load step occurs,  $V_{OUT}$  immediately

## operation

**Table 1. Inductor Selection Table**

INDUCTANCE	DCR	MAX CURRENT	DIMENSIONS	HEIGHT
<b>Vishay IHLP-2525CZ-01 Series</b>				
0.33μH	4.1mΩ	18A	6.7mm × 7mm	3mm
0.47μH	6.5mΩ	13.5A		
0.68μH	9.4mΩ	11A		
0.82μH	11.8mΩ	10A		
1.0μH	14.2mΩ	9A		
<b>Vishay IHLP-1616BZ-11 Series</b>				
0.22μH	4.1mΩ	12A	4.3mm × 4.7mm	2.0mm
0.47μH	15mΩ	7A		
<b>Toko FDV0620 Series</b>				
0.20μH	4.5mΩ	12.4A	7mm × 7.7mm	2.0mm
0.47μH	8.3mΩ	9A		
1μH	18.3mΩ	5.7A		
<b>NEC/Tokin MLC0730L Series</b>				
0.47μH	4.5mΩ	16.6A	6.9mm × 7.7mm	3.0mm
0.75μH	7.5mΩ	12.2A		
1μH	9mΩ	10.6A		
<b>Cooper HCP0703 Series</b>				
0.22μH	2.8mΩ	23A	7mm × 7.3mm	3.0mm
0.47μH	4.2mΩ	17A		
0.68μH	5.5mΩ	15A		
0.82μH	8mΩ	13A		
1μH	10mΩ	11A		
1.5μH	14mΩ	9A		
<b>TDK RLF7030 Series</b>				
1μH	8.8mΩ	6.4A	6.9mm × 7.3mm	3.2mm
1.5μH	9.6mΩ	6.1A		
2.2μH	12mΩ	5.4A		
<b>Würth Elektronik WE-HC 744312 Series</b>				
0.25μH	2.5mΩ	18A	7mm × 7.7mm	3.8mm
0.47μH	3.4mΩ	16A		
0.72μH	7.5mΩ	12A		
1μH	9.5mΩ	11A		
1.5μH	10.5mΩ	9A		

shifts by an amount equal to  $\Delta I_{LOAD} \cdot ESR$ , where ESR is the effective series resistance of  $C_{OUT}$ .  $\Delta I_{LOAD}$  also begins to charge or discharge  $C_{OUT}$  generating a feedback error signal used by the regulator to return  $V_{OUT}$  to its steady-state value. During this recovery time,  $V_{OUT}$  can be monitored for overshoot or ringing that would indicate a stability problem.

The initial output voltage step may not be within the bandwidth of the feedback loop, so the standard second order overshoot/DC ratio cannot be used to determine phase margin. The gain of the loop increases with the R and the bandwidth of the loop increases with decreasing C. If R is increased by the same factor that C is decreased, the zero frequency will be kept the same, thereby keeping the phase the same in the most critical frequency range of the feedback loop. In addition, a feedforward capacitor,  $C_{FF}$ , can be added to improve the high frequency response, as shown in Figure 1. Capacitor  $C_{FF}$  provides phase lead by creating a high frequency zero with R2 which improves the phase margin.

The output voltage settling behavior is related to the stability of the closed-loop system and will demonstrate the actual overall supply performance. For a detailed explanation of optimizing the compensation components, including a review of control loop theory, refer to ZCC-China Application Note 76.

In some applications, a more severe transient can be caused by switching in loads with large (>10μF) input capacitors. The discharged input capacitors are effectively put in parallel with  $C_{OUT}$ , causing a rapid drop in  $V_{OUT}$ . No regulator can deliver enough current to prevent this problem, if the switch connecting the load has low resistance and is driven quickly. The solution is to limit the turn-on speed of the load switch driver. A Hot Swap controller is designed specifically for this purpose and usually incorporates current limiting, short-circuit protection and soft-starting.

### Efficiency Considerations

The percent efficiency of a switching regulator is equal to the output power divided by the input power times 100%. It is often useful to analyze individual losses to determine what is limiting the efficiency and which change would

produce the most improvement. Percent efficiency can be expressed as:

$$\% \text{ Efficiency} = 100\% - (L1 + L2 + L3 + \dots)$$

where L1, L2, etc. are the individual losses as a percentage of input power.

Although all dissipative elements in the circuit produce losses, three main sources usually account for most of the losses in ZCC3605A circuits: 1)  $I^2R$  losses, 2) switching and biasing losses, 3) other losses.

1.  $I^2R$  losses are calculated from the DC resistances of the internal switches,  $R_{SW}$ , and external inductor,  $R_L$ . In continuous mode, the average output current flows through inductor L but is “chopped” between the internal top and bottom power MOSFETs. Thus, the series resistance looking into the SW pin is a function of both top and bottom MOSFET  $R_{DS(ON)}$  and the duty cycle (DC) as follows:

$$R_{SW} = (R_{DS(ON)TOP})(DC) + (R_{DS(ON)BOT})(1-DC)$$

The  $R_{DS(ON)}$  for both the top and bottom MOSFETs can be obtained from the Typical Performance Characteristics curves. Thus to obtain  $I^2R$  losses:

$$I^2R \text{ losses} = I_{OUT}^2(R_{SW} + R_L)$$

2. The  $I_{INTVCC}$  current is the sum of the power MOSFET driver and control currents. The power MOSFET driver current results from switching the gate capacitance of the power MOSFETs. Each time a power MOSFET gate is switched from low to high to low again, a packet of charge  $dQ$  moves from  $I_{INTVCC}$  to ground. The resulting  $dQ/dt$  is a current out of  $I_{INTVCC}$  that is typically much larger than the DC control bias current. In continuous mode,  $I_{GATECHG} = f(Q_T + Q_B)$ , where  $Q_T$  and  $Q_B$  are the gate charges of the internal top and bottom power MOSFETs and  $f$  is the switching frequency. Since  $I_{INTVCC}$  is a low dropout regulator output powered by  $V_{IN}$ , its power

loss equals:

$$P_{LDO} = V_{IN} \cdot I_{INTVCC}$$

Refer to the  $I_{INTVCC}$  vs Frequency curve in the Typical Performance Characteristics for typical  $I_{INTVCC}$  current at various frequencies.

3. Other “hidden” losses such as transition loss and copper trace and internal load resistances can account for additional efficiency degradations in the overall power system. It is very important to include these “system” level losses in the design of a system. Transition loss arises from the brief amount of time the top power MOSFET spends in the saturated region during switch node transitions. The ZCC3605A internal power devices switch quickly enough that these losses are not significant compared to other sources. Other losses including diode conduction losses during dead-time and inductor core losses which generally account for less than 2% total additional loss.

## Thermal Considerations

In a majority of applications, the ZCC3605A does not dissipate much heat due to its high efficiency and low thermal resistance of its exposed-back QFN package. However, in applications where the ZCC3605A is running at high ambient temperature, high  $V_{IN}$ , high switching frequency and maximum output current load, the heat dissipated may exceed the maximum junction temperature of the part. If the junction temperature reaches approximately 160°C, both power switches will be turned off until the temperature drops about 15°C cooler.

To avoid the ZCC3605A from exceeding the maximum junction temperature, the user will need to do some thermal analysis. The goal of the thermal analysis is to determine whether the power dissipated exceeds the maximum junction temperature of the part. The temperature rise is given by:

$$T_{RISE} = P_D \cdot \theta_{JA}$$

As an example, consider the case when the ZCC3605A is used in applications where  $V_{IN} = 12V$ ,  $I_{OUT} = 5A$ ,  $f = 1MHz$ ,  $V_{OUT} = 1.8V$ . The equivalent power MOSFET resistance  $R_{SW}$  is:

$$\begin{aligned} R_{SW} &= R_{DS(ON)TOP} \cdot \frac{V_{OUT}}{V_{IN}} + R_{DS(ON)BOT} \cdot \frac{V_{OUT}}{V_{IN}} \\ &= 70m\Omega \cdot \frac{1.8}{12} + 35m\Omega \cdot \frac{10.2}{12} \\ &= 40.25m\Omega \end{aligned}$$

## operation

The  $V_{IN}$  current during 1MHz force continuous operation with no load is about 11mA, which includes switching and internal biasing current loss, transition loss, inductor core loss and other losses in the application. Therefore, the total power dissipated by the part is:

$$P_D = I_{OUT}^2 \cdot R_{SW} + V_{IN} \cdot I_{IN} \text{ (No Load)}$$

$$= 25A^2 \cdot 40.25m\Omega + 12V \cdot 11mA = 1.14W$$

The QFN 4mm × 4mm package junction-to-ambient thermal resistance,  $\theta_{JA}$ , is around 37°C/W. Therefore, the junction temperature of the regulator operating in a 25°C ambient temperature is approximately:

$$T_J = 1.14W \cdot 37^\circ C/W + 25^\circ C = 67^\circ C$$

Remembering that the above junction temperature is obtained from an  $R_{DS(ON)}$  at 25°C, we might recalculate the junction temperature based on a higher  $R_{DS(ON)}$  since it increases with temperature. Redoing the calculation assuming that  $R_{SW}$  increased 15% at 67°C yields a new junction temperature of 72°C. If the application calls for a higher ambient temperature and/or higher switching frequency, care should be taken to reduce the temperature rise of the part by using a heat sink or air flow. Figure 2 is a temperature derating curve based on the DC1215 demo board.

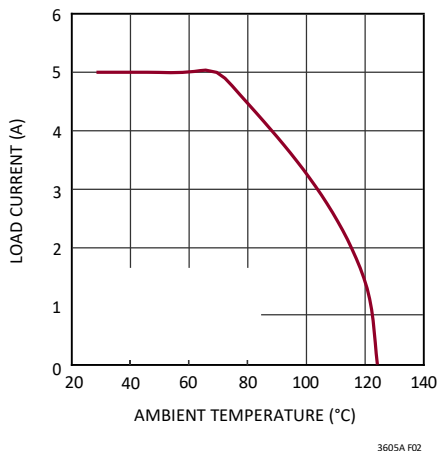


Figure 2. Load Current vs Ambient Temperature

## Junction Temperature Measurement

The junction-to-ambient thermal resistance will vary depending on the size and amount of heat sinking copper on the PCB board where the part is mounted, as well as the amount of air flow on the device. One of the ways to measure the junction temperature directly is to use the internal junction diode on one of the pins (PGOOD) to measure its diode voltage change based on ambient temperature change. First remove any external passive component on the PGOOD pin, then pull out 100µA from the PGOOD pin to turn on its internal junction diode and bias the PGOOD pin to a negative voltage. With no output current load, measure the PGOOD voltage at an ambient temperature of 25°C, 75°C and 125°C to establish a slope relationship between the delta voltage on PGOOD and delta ambient temperature. Once this slope is established, then the junction temperature rise can be measured as a function of power loss in the package with corresponding output load current. Keep in mind that doing so will violate absolute maximum voltage ratings on the PGOOD pin, however, with the limited current, no damage will result.

## Board Layout Considerations

When laying out the printed circuit board, the following checklist should be used to ensure proper operation of the ZCC3605A (refer to Figure 3). Check the following in your layout:

1. Do the capacitors  $C_{IN}$  connect to the power  $PV_{IN}$  and power PGND as close as possible? These capacitors provide the AC current to the internal power MOSFETs and their drivers.
2. Are  $C_{OUT}$  and L1 closely connected? The (–) plate of  $C_{OUT}$  returns current to PGND and the (–) plate of  $C_{IN}$ .
3. The resistive divider, R1 and R2, must be connected between the (+) plate of  $C_{OUT}$  and a ground line terminated near SGND. The feedback signal  $V_{FB}$  should be routed away from noisy components and traces, such as the SW line, and its trace should be minimized. Keep R1 and R2 close to the IC.

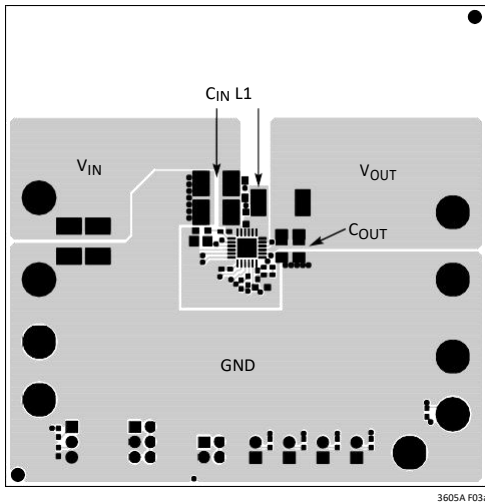


Figure 3a. Sample PCB Layout—Top Side

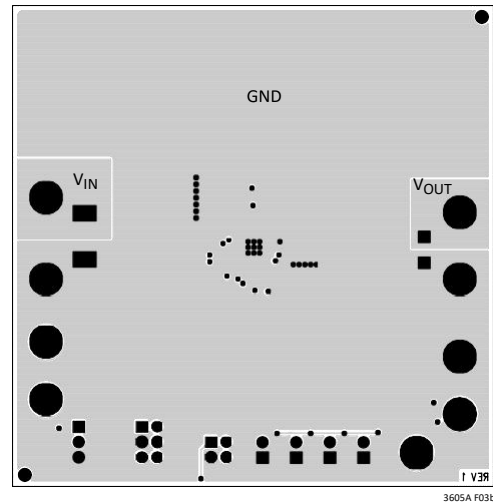


Figure 3b. Sample PCB Layout—Bottom Side

- Solder the Exposed Pad (Pin 25) on the bottom of the package to the PGND plane. Connect this PGND plane to other layers with thermal vias to help dissipate heat from the ZCC3605A.
- Keep sensitive components away from the SW pin. The  $R_T$  resistor, the compensation capacitor  $C_C$  and  $C_{ITH}$  and all the resistors  $R_1$ ,  $R_3$  and  $R_C$ , and the  $INTV_{CC}$  bypass capacitor, should be placed away from the SW trace and the inductor L1. Also, the SW pin pad should be kept as small as possible.
- A ground plane is preferred, but if not available, keep the signal and power grounds segregated with small-signal components returning to the SGND pin which is then connected to the PGND pin at the negative terminal of the output capacitor,  $C_{OUT}$ .

Flood all unused areas on all layers with copper, which reduces the temperature rise of power components. These copper areas should be connected to PGND.

### Design Example

As a design example, consider using the ZCC3605A in an application with the following specifications:

$$V_{IN} = 10.8V \text{ to } 13.2V, V_{OUT} = 1.8V, I_{OUT(MAX)} = 5A, \\ I_{OUT(MIN)} = 500mA, f = 2MHz$$

Because efficiency is important at both high and low load current, discontinuous mode operation will be utilized. First select from the characteristic curves the correct  $R_T$  resistor value for 2MHz switching frequency. Based on that  $R_T$  should be 80.6k. Then calculate the inductor value for about 50% ripple current at maximum  $V_{IN}$ :

$$L = \left( \frac{1.8V}{2MHz \cdot 2.5A} \right) \left( \frac{1 - \frac{1.8V}{13.2V}}{13.2V} \right) = 0.33\mu H$$

The nearest standard value inductor would be 0.33 $\mu$ H.

$C_{OUT}$  will be selected based on the ESR that is required to satisfy the output voltage ripple requirement and the bulk capacitance needed for loop stability. For this design, two 47 $\mu$ F ceramic capacitors will be used.

$C_{IN}$  should be sized for a maximum current rating of:

$$I_{RMS} = 5A \left( \frac{1.8V}{13.2V} \right) \left( \frac{13.2V - 1.8V}{1.8V} \right)^{1/2} = 1.7A$$

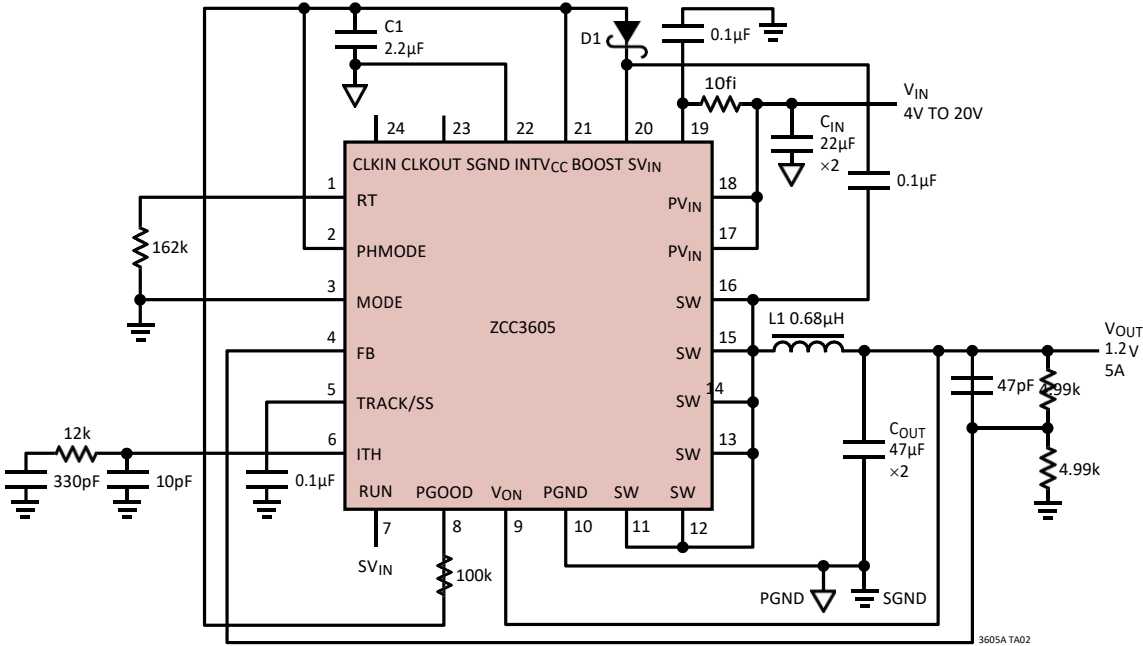
Decoupling the  $PV_{IN}$  pins with two 22 $\mu$ F ceramic capacitors is adequate for most applications.



# ZCC3605

## Typical applications

### 12V to 1.2V 1MHz Buck Regulator

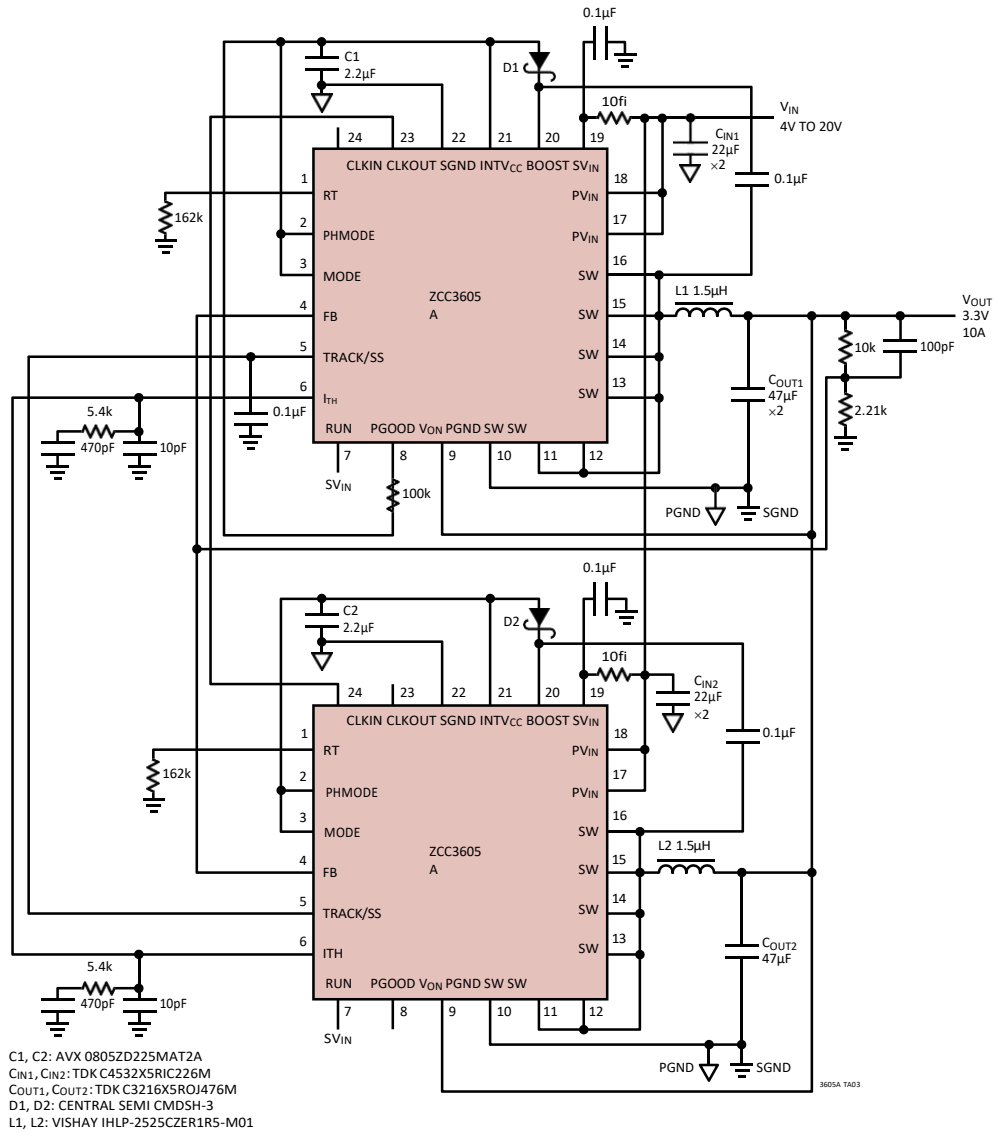


- C1: AVX 0805ZD225MAT2A
- CIN: TDK C4532X5R1C226M
- COUT: TDK C3216X5R0J476M
- D1: CENTRAL SEMI CMDSH-3
- L1: VISHAY IHLP-2525CZERR68-M01

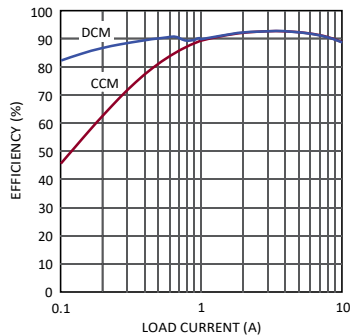
3605A TA02

# Typical applications

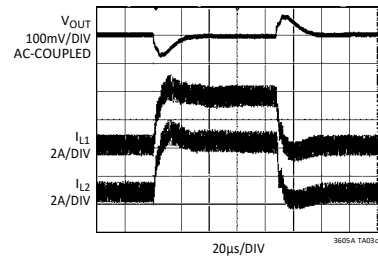
## 12V, 10A 2-Phase Single Output Regulator



12V, 10A, 2-Phase Efficiency

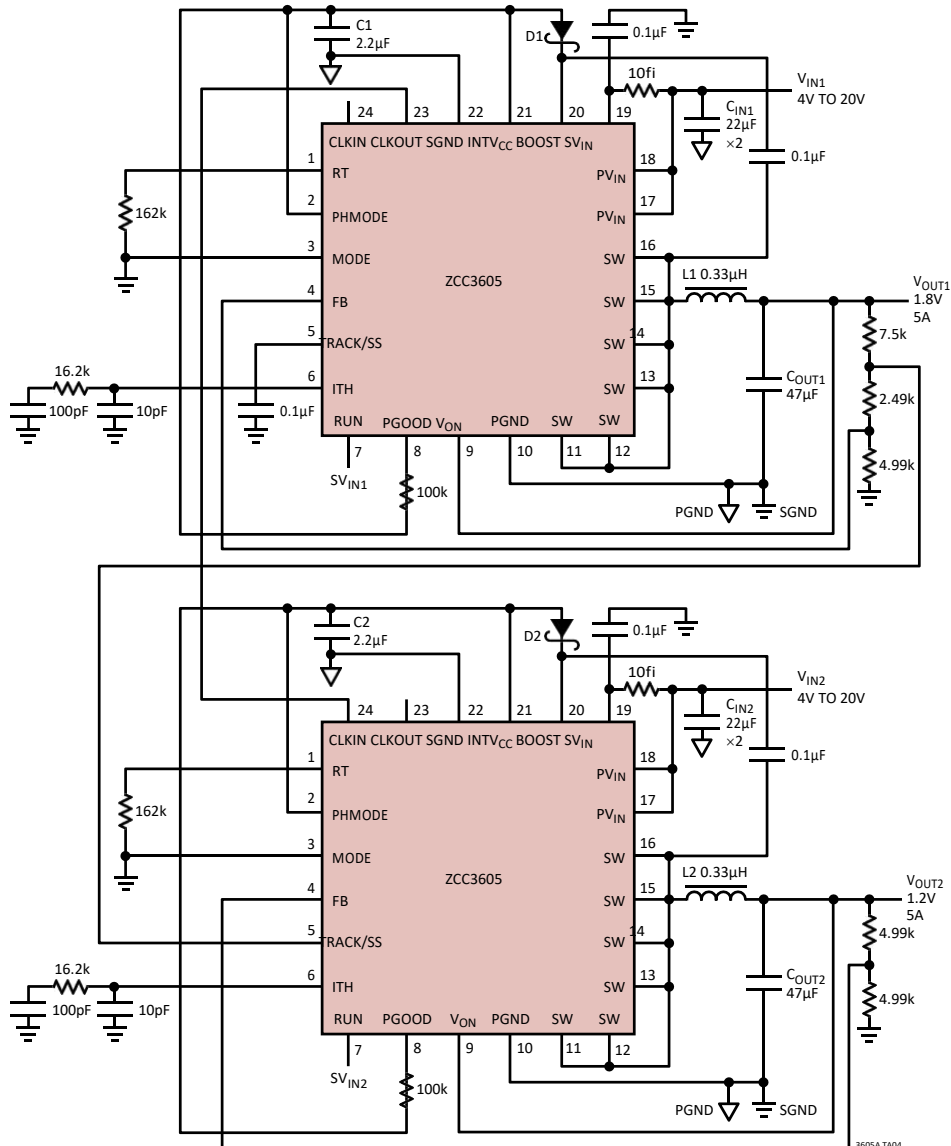


12V, 10A, 2-Phase Load Step



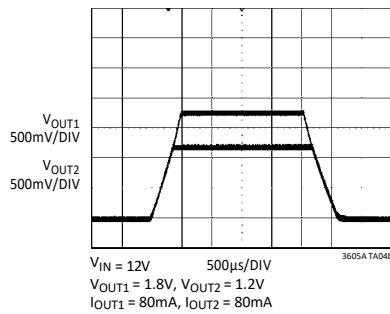
# Typical applications

## Dual Output Tracking Application



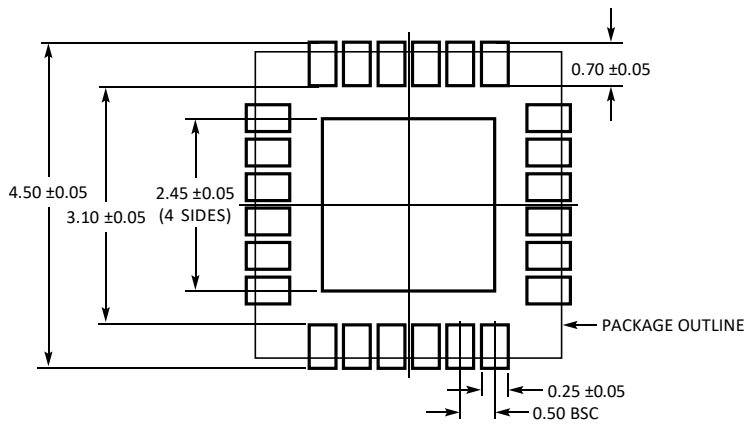
C1, C2: AVX 0805ZD225MAT2A  
 C<sub>IN1</sub>, C<sub>IN2</sub>: TDK C4532X5RIC226M  
 C<sub>OUT1</sub>, C<sub>OUT2</sub>: TDK C3216X5ROJ476M  
 D1, D2: CENTRAL SEMI CMDSH-3  
 L1, L2: VISHAY IHLP-2525CZERR33-M01

## Dual Output Tracking Waveform

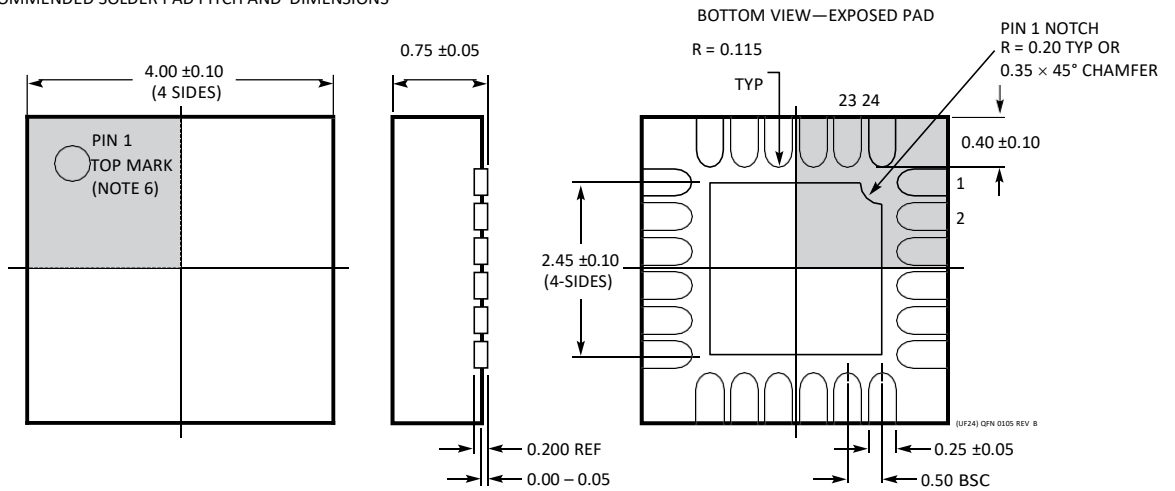


# package Description

**UF Package**  
**24-Lead Plastic QFN (4mm × 4mm)**  
 (Reference ZCC DWG # 05-08-1697 Rev B)



RECOMMENDED SOLDER PAD PITCH AND DIMENSIONS



**NOTE:**

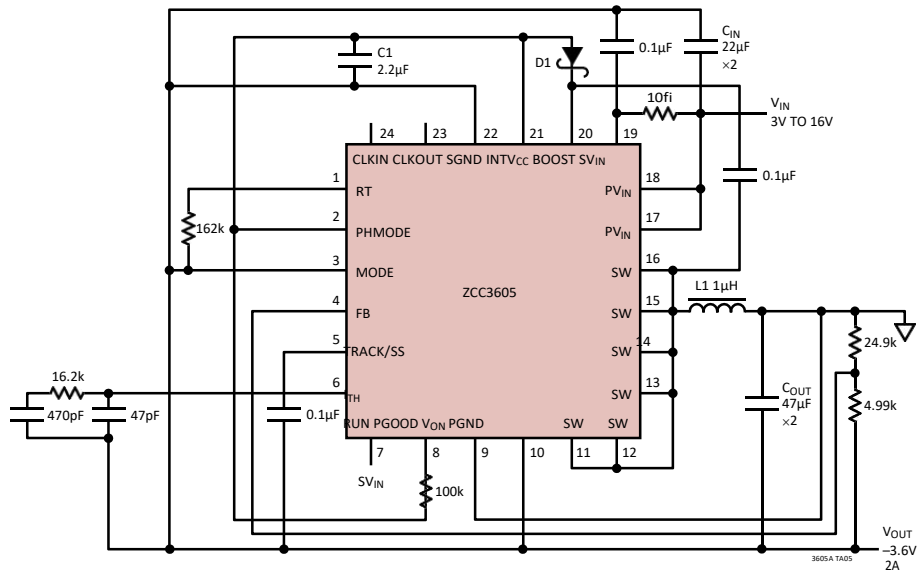
1. DRAWING PROPOSED TO BE MADE A JEDEC PACKAGE OUTLINE MO-220 VARIATION (WGGD-X)—TO BE APPROVED
2. DRAWING NOT TO SCALE
3. ALL DIMENSIONS ARE IN MILLIMETERS
4. DIMENSIONS OF EXPOSED PAD ON BOTTOM OF PACKAGE DO NOT INCLUDE MOLD FLASH. MOLD FLASH, IF PRESENT, SHALL NOT EXCEED 0.15mm ON ANY SIDE, IF PRESENT
5. EXPOSED PAD SHALL BE SOLDER PLATED
6. SHADED AREA IS ONLY A REFERENCE FOR PIN 1 LOCATION ON THE TOP AND BOTTOM OF PACKAGE

## revision hisTory

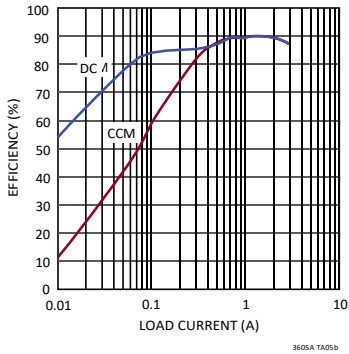
REV	DATE	DESCRIPTION	PAGE NUMBER
A	12/12	Updated V <sub>VIN_OV</sub> specification.	3
B	09/13	Clarified conditions for electrical specifications.	2, 3
		Clarified specifications in the Electrical Characteristics section.	3
		Clarified TRACK/SS pin description.	6
		Clarified schematics.	7, 17
		Clarified the Main Control Loop description and added RUN Threshold section header.	8
C	04/15	Clarified negative valley current limit parameter.	3
		Added negative valley current limit explanation.	11
D	08/15	Added "Do not float this pin" to MODE pin function.	6
E	11/15	Changed RUN Voltage Abs Max Rating	2
		Enhanced Inductor Selection section	11
F	02/16	Added new section on PV <sub>IN</sub> /SV <sub>IN</sub> Voltage Differential	9
G	09/16	Modified Block Diagram	7

# Typical application

## -3.6V Negative Converter



## -3.6V Negative Converter Efficiency



## -3.6V Negative Converter

